

Cor-Vet 4" Square Adjustable Downlight (102mm)

Core trims and mountings with Rivet light engine and adjusting
Adjustable Recessed Accent Light

The Core Family meets the Rivet Family

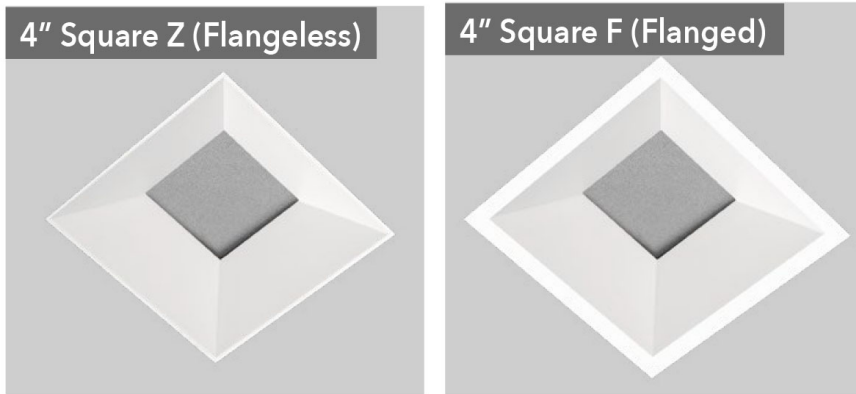
Linking the timeless style and elegance of the Core fixture trims with the precision adjusting of the Rivet light engine, we form the Cor-Vet. The core trims offer 3 aperture options in 14 standard finishes, custom color match, RAL or our renowned custom wood trims. The Rivet light engine brings a precision engineered dual axis cam for 36° tilt hot aiming and a unique magnetic head mounting for easy 360° rotation. With a toolless drop down of the optic assembly for quick media placement, you can easily shape the finely tuned static white and Ambient Dim (warm dim) sources with up to 2 pieces of media. You have found the Square Cor-Vet 4" Adjustable Downlight and hope you enjoy the details.

PROJECT:

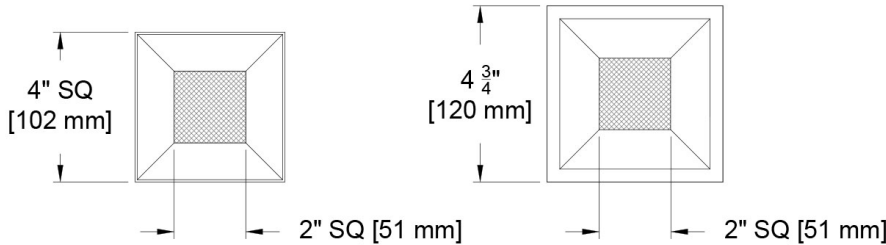
TYPE:

SPECIFIER:

DATE:



Deep Regress Shown



Key Points (CRV4D-SA)

Trim

- Flanged or Flangeless
- One-piece die cast aluminum or machined wood trim
- 14 color options + custom RAL or wood available
- Flangeless includes plaster flange with lip

Source / Optics

- Unique magnetic mounting of luminaire head promotes easy, full 360° rotational aiming, and allows toolless drop down of head for easy access to change optics, lens accessories and driver service.
- Precision engineered dual axis cam for vertical tilt aiming up to 36° allows luminaire to remain centered in aperture reducing beam clipping.
- 3 beamspreads available - 20°, 28° and 40°
- Up to 1073 delivered lumens
- <2 MacAdam Steps (<2SDCM) for fixed white
- 90 CRI , 60+ R9 Standard- 95 CRI 90+R9 Optional w/ Ambient Dim
- 2700, 3000, 3500, 4000K and Ambient Dim (3000k-1900k)
- Lifetime: L87B3>55,000 hours at 40°C Ambient

Housing

- Heavy gauge aluminum for new construction or remodel
- IC Rated / Airtight Housing approved for use in direct contact with insulation – Chicago Plenum Available
- Approved for 8 (4-in / 4-out) #12 AWG conductors rated for 90°C through wiring
- Listed – Damp or wet with shower trim
- Fixture supports CA Title 24 compliance to JA8 requirements with Airtight Housing

Driver

- Phase, 0-10, DALI, Ecosystem or Wireless Control
- Flicker free to IEEE 1789-2015 available
- Prewired and integral to housing
- Universal 120-277v

Aperture Options



Deep Regress (DR)
2" Optical Aperture
Formerly known as 1009

FL- Flat (Pin Hole)
2" Optical Aperture
Formerly known as 1012

Open Regress (OR)
3" Optical Aperture
Formerly known as 1017

Wood Finish
All apertures options

SQUARE Beamspreads	System watts (W)	20°				28°				40°			
		Delivered Lumens (lm)	Lumens/Watt	Peak CD	10% Field	Delivered Lumens (lm)	Lumens/Watt	Peak CD	10% Field	Delivered Lumens (lm)	Lumens/Watt	Peak CD	10% Field
Citizen C7	9	746	88	3554	54°	667	78	2145	61°	688	81	1455	64°
Citizen C11	13	1073	85	4823	55°	928	74	2895	62°	959	76	2030	64°
Ambient Dim A9	10	598	59	2124	60°	529	52	1382	64°	565	56	1159	64°
Ambient Dim A11	12	685	57	2470	50°	565	47	1603	54°	592	49	1341	53°

Ambient dim measured at full output. ISO cd Plots based upon C11 Source. Refer to photometry tab on product page for exact ISO cd plot and IES files. Data is based upon a single head aimed at 0°.

Cor-Vet 4" Square Adjustable Downlight (102mm)

Core trims and mountings with Rivet light engine and adjusting
Adjustable Recessed Accent Light



Ordering Codes

PROJECT:

SPECIFIER:

DATE:

TYPE:

QUANTITY:

Ordering Code Example: CRV4D-SA-DR-Z-AP-C20-35-20-E2-P16-91A-97L-CP-LR

FIXTURE	APERTURE	TRIM	MOUNTING	SOURCE / WATTS	CCT	BEAM	DRIVER / CONTROL	TRIM FINISH	LENS ACCESSORIES	ACCESSORIES
CRV4D-SA										
Cor-Vet 4" Square Adjustable Downlight with Rivet Head	DR CorVet Deep Regress OR CorVet Open Regress FL CorVet Flat	F Flanged Trim Z Flangeless Trim FS Flanged Shower Trim* ZS Flangeless Shower Trim* * Aperture Lens Required	Flanged Housings U Universal - Non IC Housing AU ●● Universal IC/Airtight* Flangeless Housings P Plaster AP ●● Plaster IC/Airtight* PM Panel Mount APM ●● Panel Mount Airtight/IC* ●● Supports CA Title 24 compliance to JA8 requirements	Citizen C7 ●● 9W 746Lm* 90+CRI, 60+R9 C11 ●● 13W 1073Lm* 90+CRI, 60+R9 Ambient Dim A9 10W 598Lm* 95+CRI, 90+R9 3000 to 1900k A11 12W 685Lm* 95+CRI, 90+R9 3000 to 1900k ●● Supports CA Title 24 Compliance to JA8 * Based on Rivet 20" beam All values based on Rivet photometry. Deep Regress and Flat apertures will experience beam clipping. Contact factory if exact photometry is required.	27 2700K 30 3000K 35 3500K 40 4000K AD 3000-1900K	20 Spot 28 Narrow Flood 45 Flood	C1 0-10 1.0%, UNV (120-277V) linear C2 ELV/Triac 1.0%, (120V) linear EldoLED E1 0-10 0.1%, UNV (120-277V) log E2 DALI-2 0.1%, UNV (120-277V) log E3 0-10 0.1%, UNV (120-277V) linear Lutron LD Digital Ecosystem 1.0%, UNV (120-277V) ECO Hi-Lume SoftOn/Fade-to-Black LDE1 LP Digital Ecosystem* 0.1%, UNV (120-277V) ECO Premier Hi-Lume SoftOn/Fade-to-Black, PEQ0, 20W max	W White Paint B Black Paint D Wood* PXX Specialty Paint Color* P01-P15 C Custom/RAL Color** *Wood "D" Selection to be used with Z trim and PM mounting **See Specialty Finish Guide	Aperture Lens 91A Solite 93A Frosted XXA Other Aperture Lens Treatments* Reflector (lamp) Media 91L Solite 93L Frosted 97L Black Hexcel Louver XXL Other reflector (lamp) media* Note: 1 piece of Media for aperture opening and 2 pieces of media for the lamp (reflector) opening can be selected *See Lens Accessory Guide	CP Chicago Plenum EMP Emergency Pack with phase cut control system utilizing C1 driver EM Emergency Pack Controls LR Lutron Wireless RF PowPak ATH Lutron Athena Wireless Node <i>Must be used with E2 driver</i> CA Casambi Wireless BLE to be paired with driver



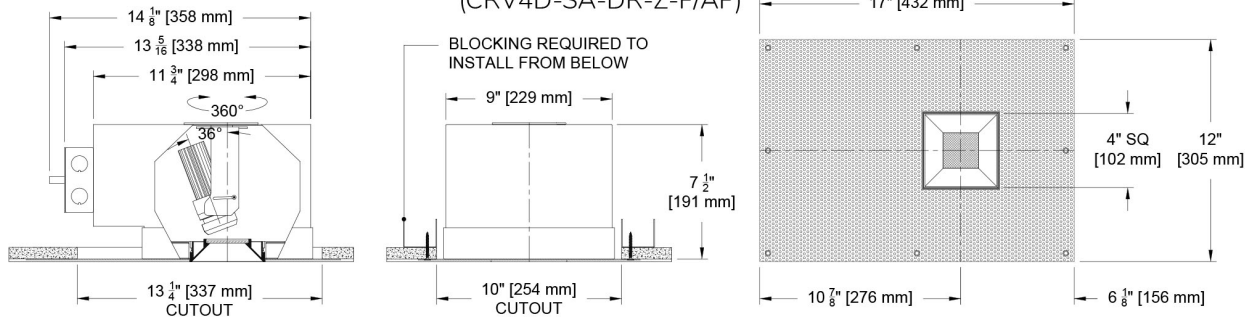
Ceiling Cutouts and Dimensions

Deep Regress Shown - other apertures similar

Square Flangeless Housing

Plaster Mount (P/AP)

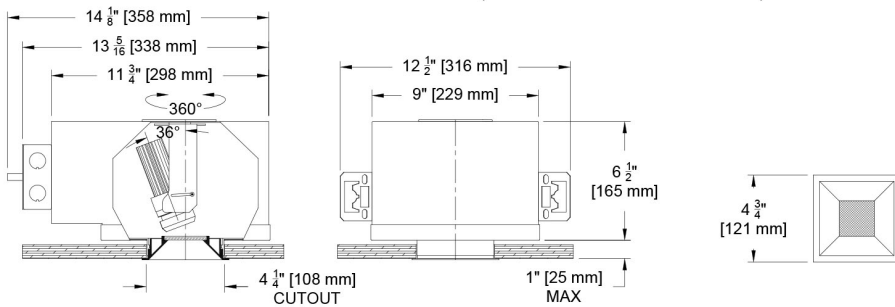
(CRV4D-SA-DR-Z-P/AP)



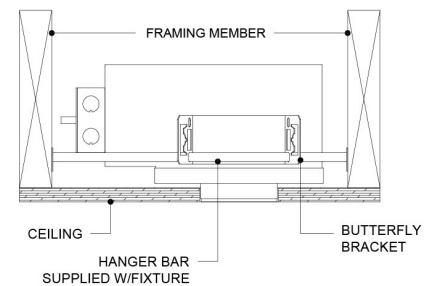
Square Flanged Housing

Flanged Mount (U/AU)

(CRV4D-SA-DR-F-U/AU)



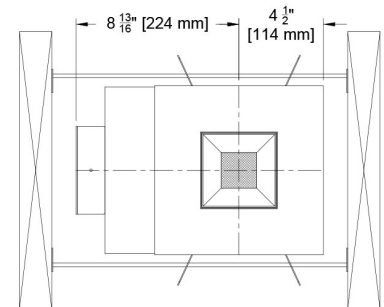
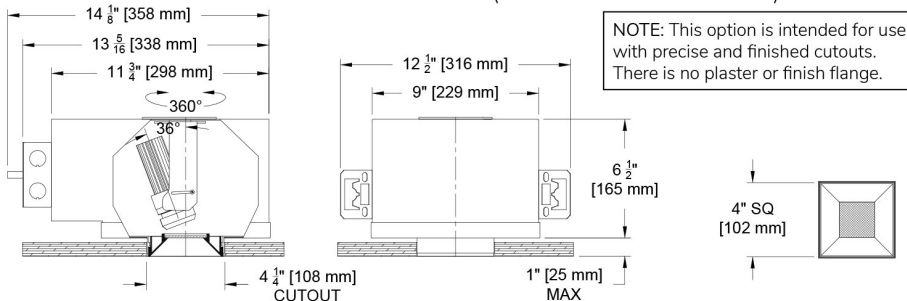
Hanger Bar Detail



Square Flangeless Housing

Flangeless Mount (U/AU)

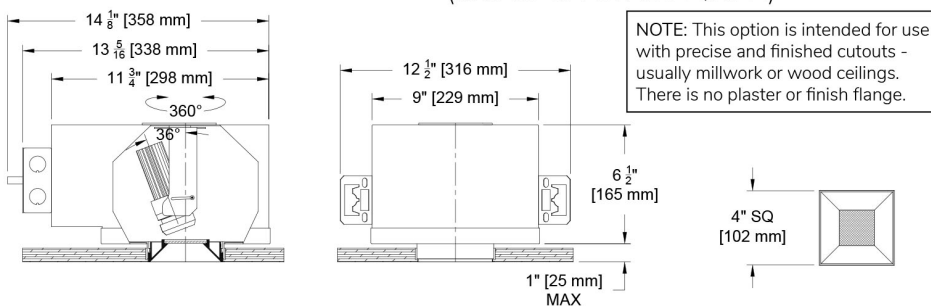
(CRV4D-SA-DR-Z-U/AU)



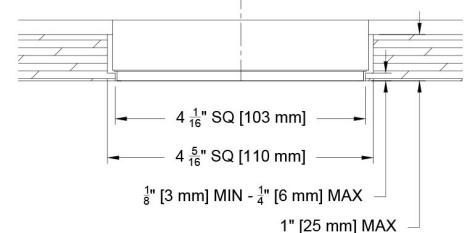
Square Flangeless Housing

Panel Mount (PM/APM)

(CRV4D-SA-DR-Z-PM/APM)



Panel Mount Detail



Cor-Vet 4" Square Adjustable Downlight (102mm)

Core trims and mountings with Rivet light engine and adjusting
Adjustable Recessed Accent Light



Photometric Table

All data is based from goniometer measurements of production representative Rivet product. The Rivet head is common to both fixtures and will have similar photometrics. The Core Deep Regress and Flat apertures will experience additional beam clipping. Contact factory if photometry for a particular combination is required. All lumen values can vary +/- 10% from LED manufacturer rated flux range. Measurements at 3000 CCT and Ambient Dim at full output.

SQUARE Beamspreads		20°				28°				40°			
Source	System watts (W)	Delivered Lumens (lm)	Lumens/ Watt	Peak CD	10% Field	Delivered Lumens (lm)	Lumens/ Watt	Peak CD	10% Field	Delivered Lumens (lm)	Lumens/ Watt	Peak CD	10% Field
Citizen C7	9	746	88	3554	54°	667	78	2145	61°	688	81	1455	64°
Citizen C11	13	1073	85	4823	55°	928	74	2895	62°	959	76	2030	64°
Ambient Dim A9	10	598	59	2124	60°	529	52	1382	64°	565	56	1159	64°
Ambient Dim A11	12	685	57	2470	50°	565	47	1603	54°	592	49	1341	53°
CCT Multiplier		Beam angle				Beam angle				Beam angle			
CCT	Citizen												
2700	0.95	19.7°				26°				39.7°			
3000	1.00												
3500	1.02												
4000	1.03												

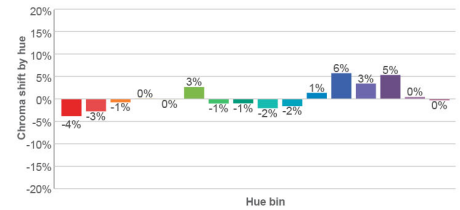
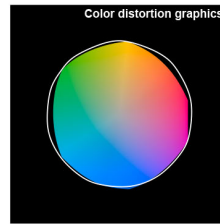
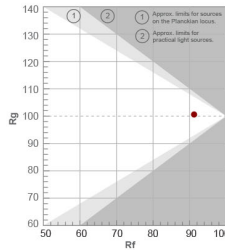
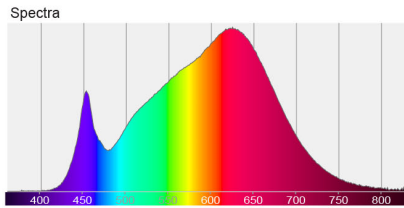
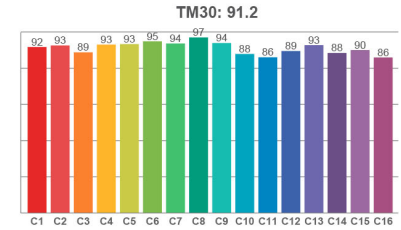
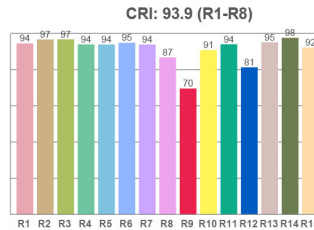
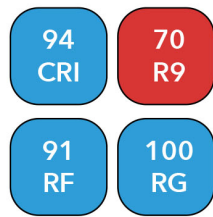
ISO cd Plots based upon C11 Source. Refer to photometry tab on product page for exact ISO cd plot and IES files.

Color Data

All data is based from goniometer measurements of production representative product. All values can vary +/- 10% from LED manufacturer rated data range. Measurements at 3000 CCT

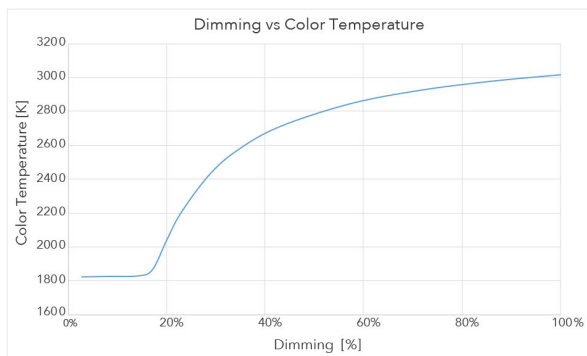
Citizen Sources - C7 and C11

- <2 MacAdam Ellipse (<2 SDCM)
- 90+ CRI and RF
- 60+R9, Hue Bin 1

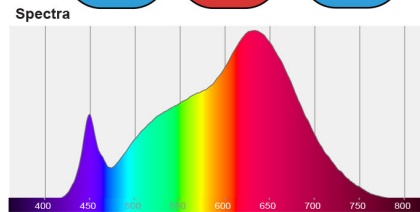


Ambient Dim Source A9, A11 (AD - 3000k to 1900k)

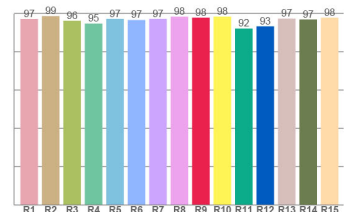
- <3 MacAdam Ellipse (<3 SDCM)
- 95+ CRI and RF
- 90+R9, Hue Bin 1
- Follows Black Body Locus through dimming range



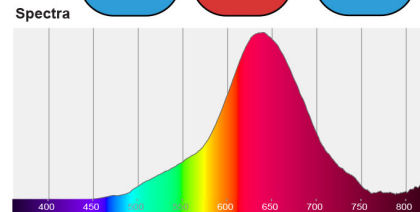
3000 CCT Full Output



CRI: 96.9 (R1-R8)



1850 CCT 5% Output



CRI: 92.6 (R1-R8)

